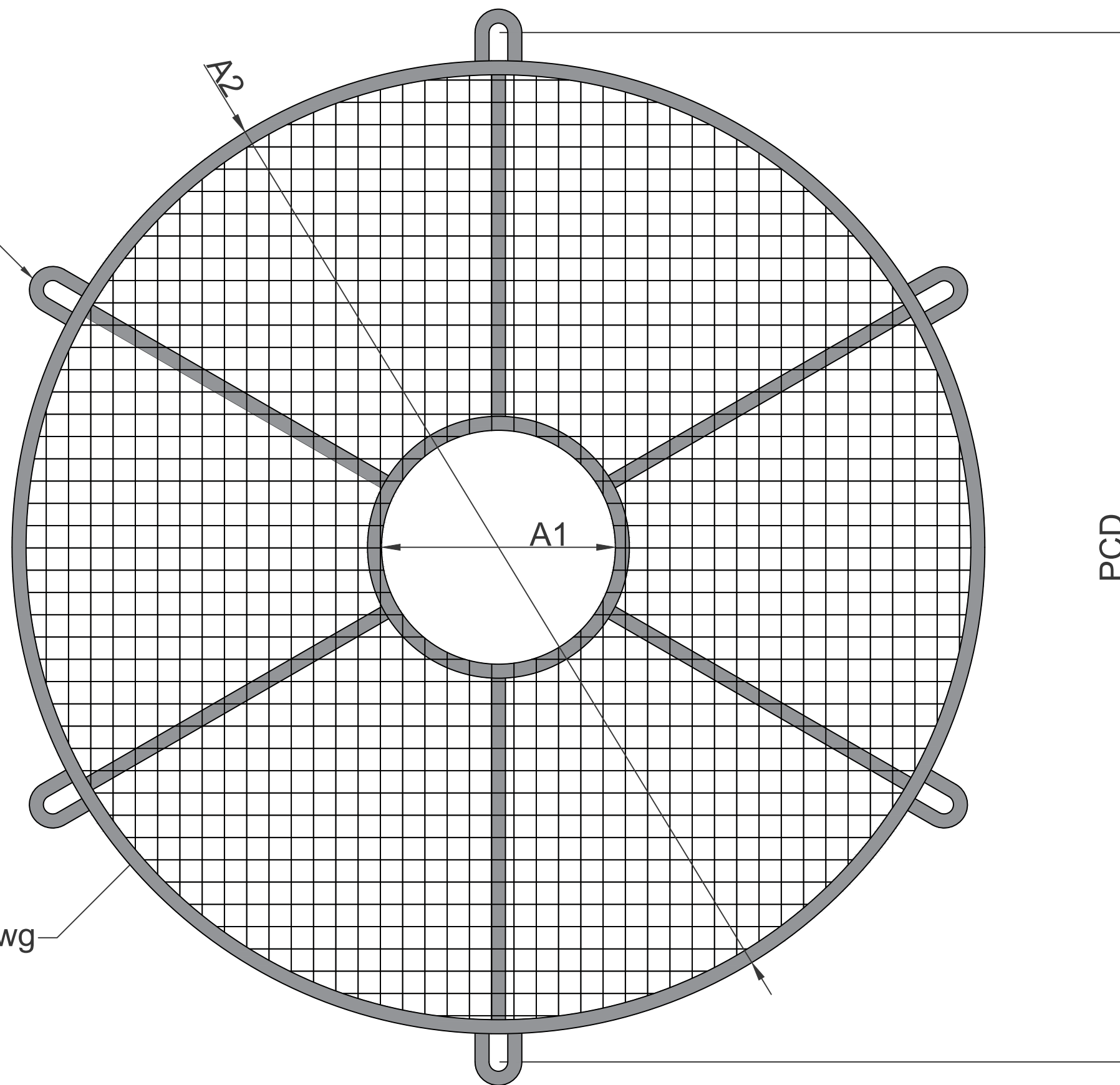


A1 (Dia ins)	
A2 (Dia out)	
PCD	
Finish	

Lugs suitable for M6 Screws

Mesh 1" x 1" x 16swg
Frame 6mm



Client : AMP WIRE

Project : Flat Fan Guard
with Hole
500mm - 1100mm

Drawn By - P.Szmelter

Checked By -

Date : 27/10/2017

Scale :

DRWN
6
ORIGINAL
DRG SIZE
A3

ALL DESIGNS, DRAWINGS AND PLANS PREPARED BY AMPWIRE LIMITED REMAIN THEIR PROPERTY AND COPYRIGHT. NO DRAWING MUST BE COPIED IN WHOLE OR PART OR OTHERWISE MADE USE OF BY ANY OTHER PARTY. ALL DETAILS ON THIS DRAWING ARE SUBJECT TO ANY NECESSARY SITE CHECKS