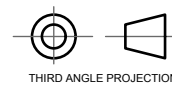


DO NOT SCALE / IF IN DOUBT ASK



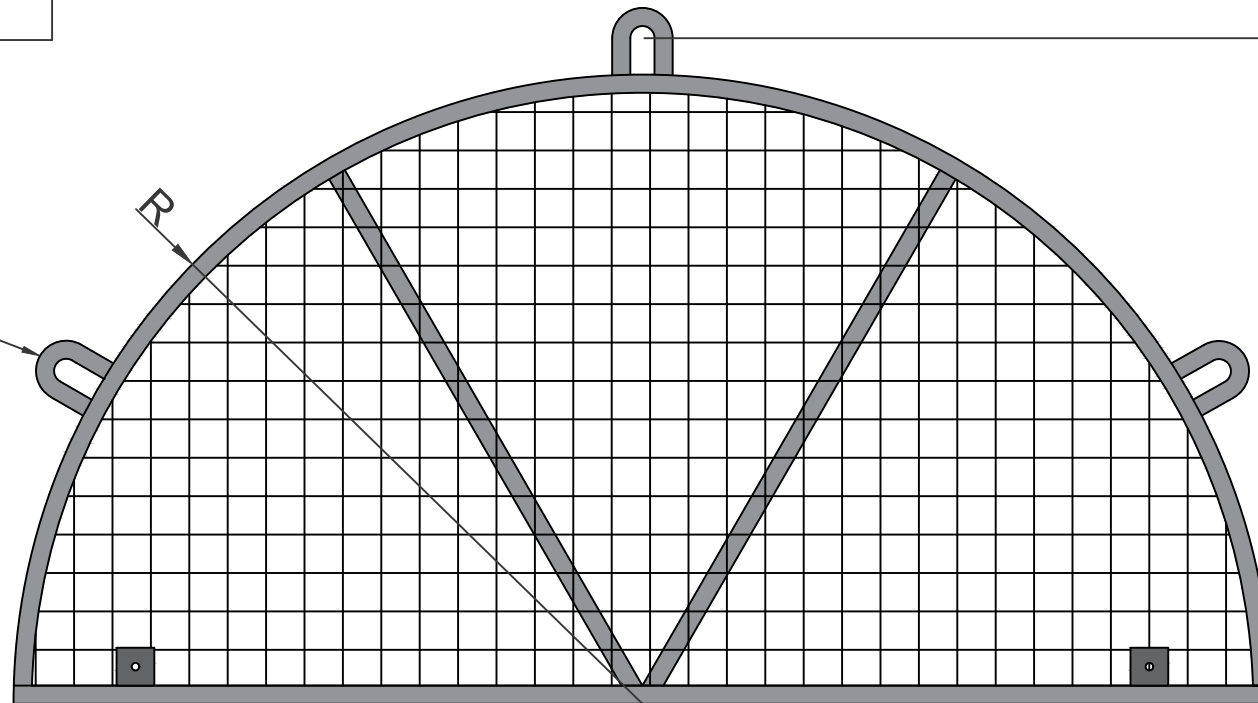
PART No. QTY REQD

DESCRIPTION

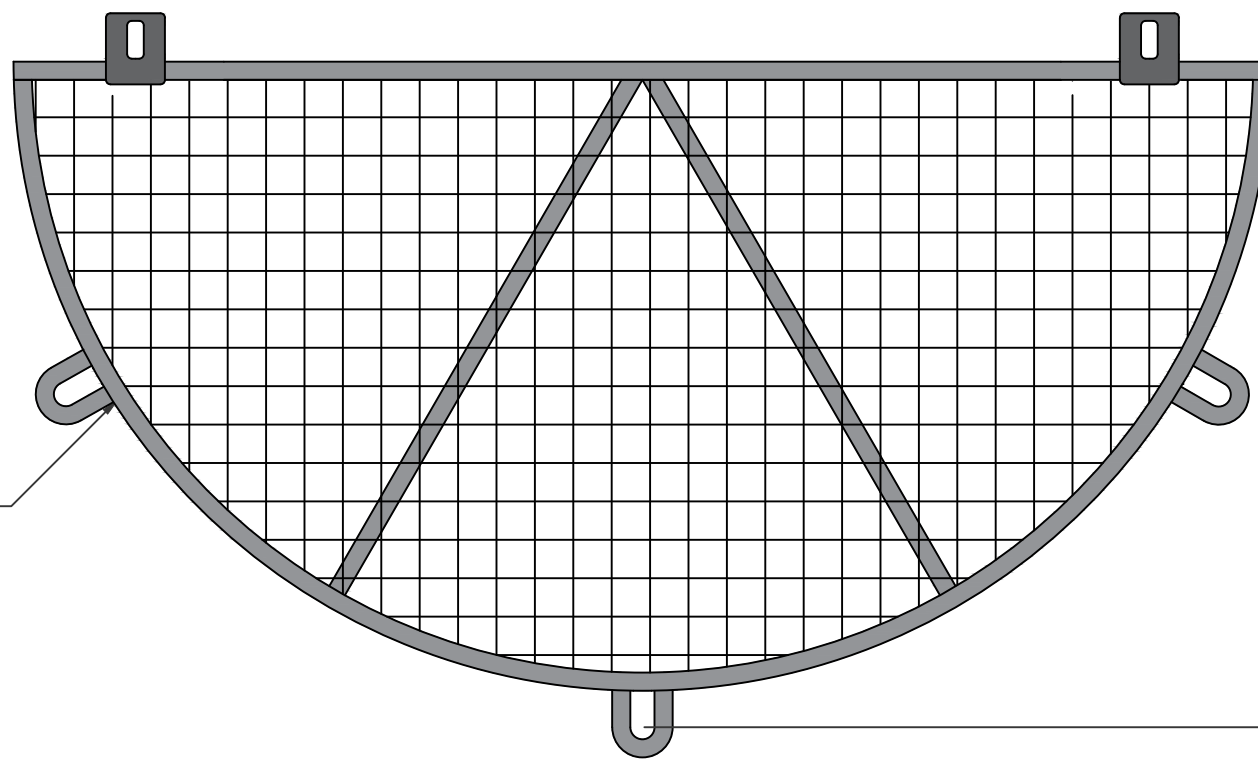
NETT WT.(Kg)

R (Rad)	
B (Depth)	
PCD	
Finish	

Lugs suitable for M6 Screws

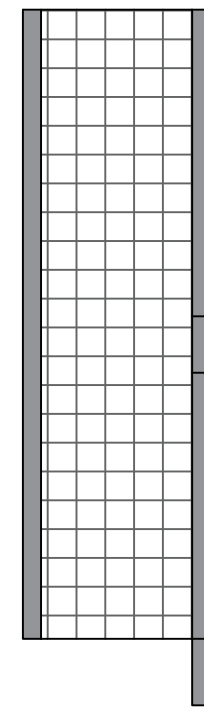
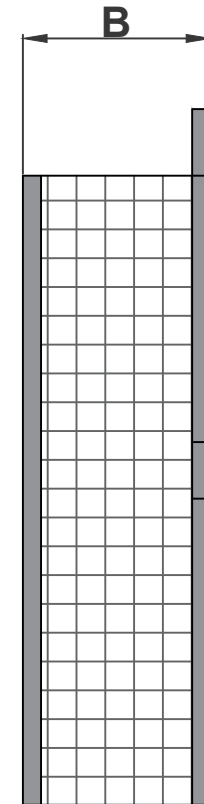


Mesh 1" x 1" x 16swg  
Frame 6mm



PCD

B



Client : AMP WIRE

Project : Flat Fan Guard Split  
over 1100mm  
with Flange

Drawn By - P.Szmelter

Checked By -

Date : 03/11/2017

Scale :

DRWN

17

ORIGINAL DRG SIZE

A3

ALL DESIGNS, DRAWINGS AND PLANS PREPARED BY AMPWIRE LIMITED REMAIN THEIR PROPERTY AND COPYRIGHT. NO DRAWING MUST BE COPIED IN WHOLE OR PART OR OTHERWISE MADE USE OF BY ANY OTHER PARTY. ALL DETAILS ON THIS DRAWING ARE SUBJECT TO ANY NECESSARY SITE CHECKS