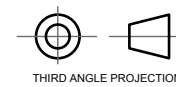


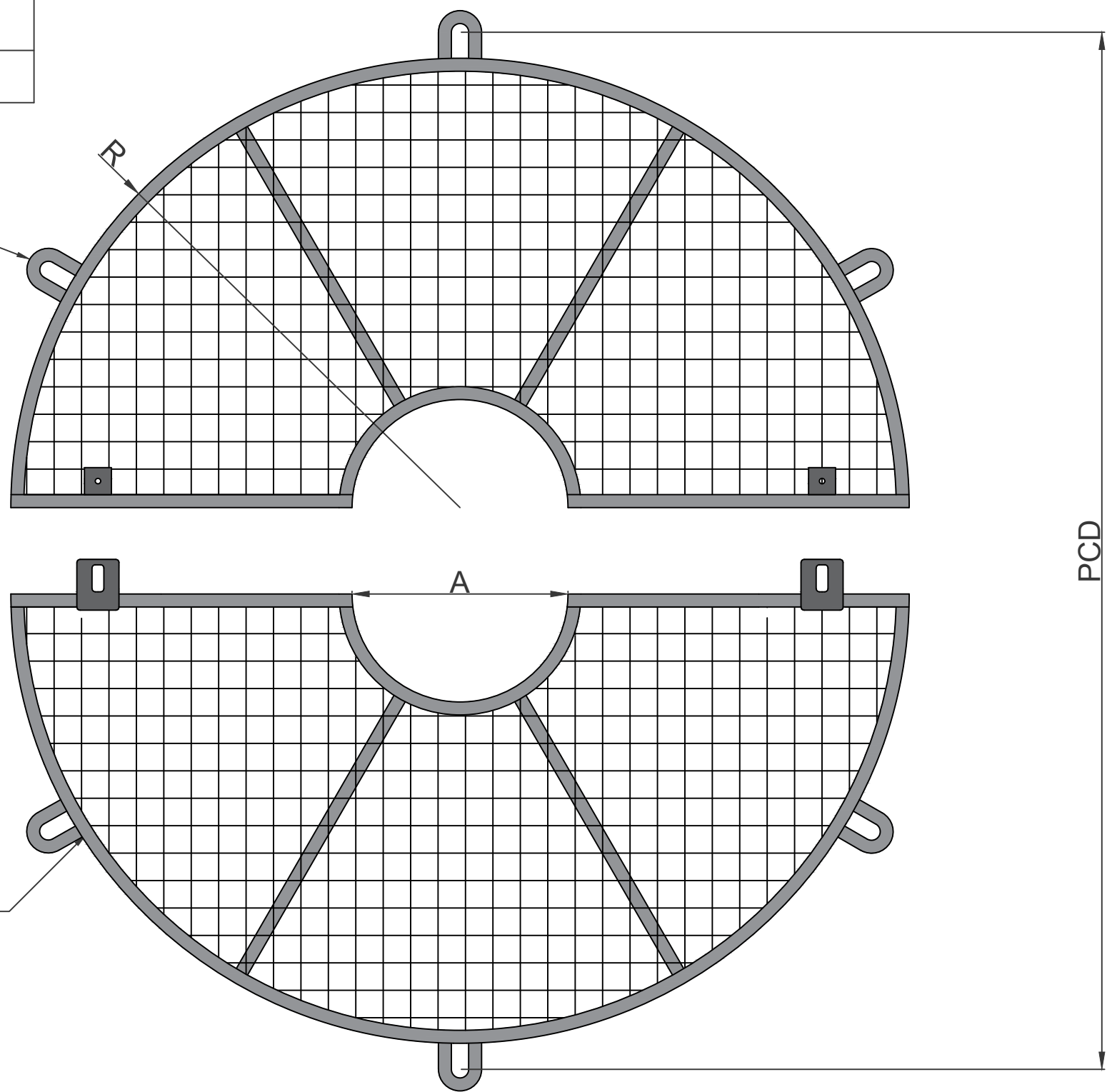
DO NOT SCALE / IF IN DOUBT ASK



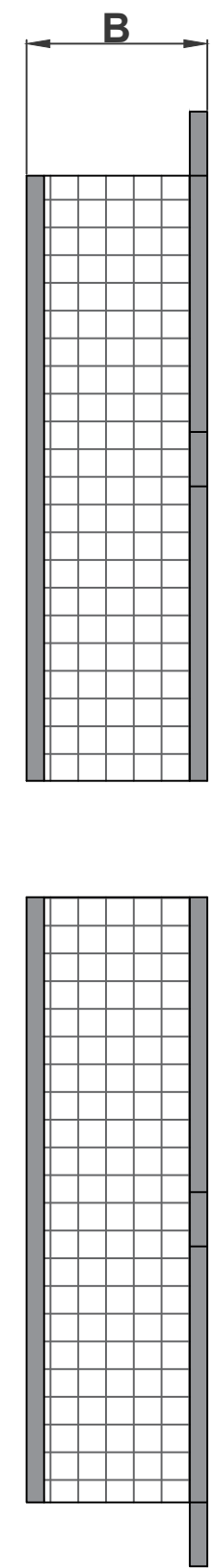
PART No.	QTY REQD	DESCRIPTION	NETT WT.(Kg)
----------	----------	-------------	--------------

A (Dia ins)	
R (Rad)	
B (Depth)	
PCD	
Finish	

Lugs suitable for M6 Screws



Mesh 1" x 1" x 16swg
Frame 6mm



Client : AMP WIRE

Project : Flat Fan Guard Split with Hole over 1100mm with Flange

Drawn By - P.Szmelter

Checked By -

Date : 03/11/2017

Scale :

DRWN
16
ORIGINAL DRG SIZE
A3

ALL DESIGNS, DRAWINGS AND PLANS PREPARED BY AMPWIRE LIMITED REMAIN THEIR PROPERTY AND COPYRIGHT. NO DRAWING MUST BE COPIED IN WHOLE OR PART OR OTHERWISE MADE USE OF BY ANY OTHER PARTY. ALL DETAILS ON THIS DRAWING ARE SUBJECT TO ANY NECESSARY SITE CHECKS