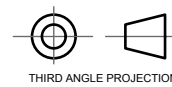
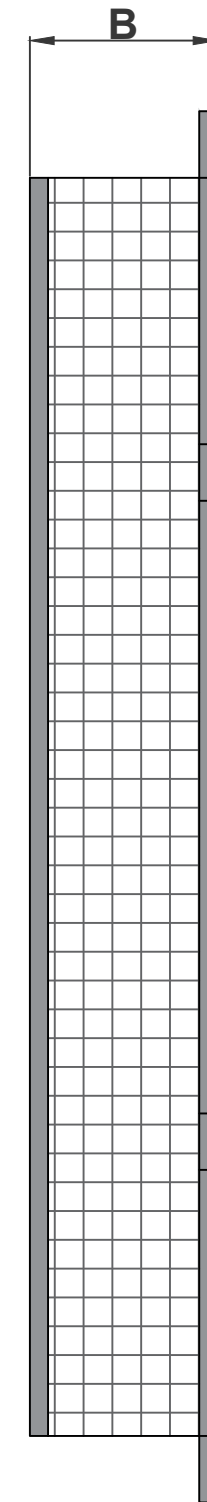


DO NOT SCALE / IF IN DOUBT ASK



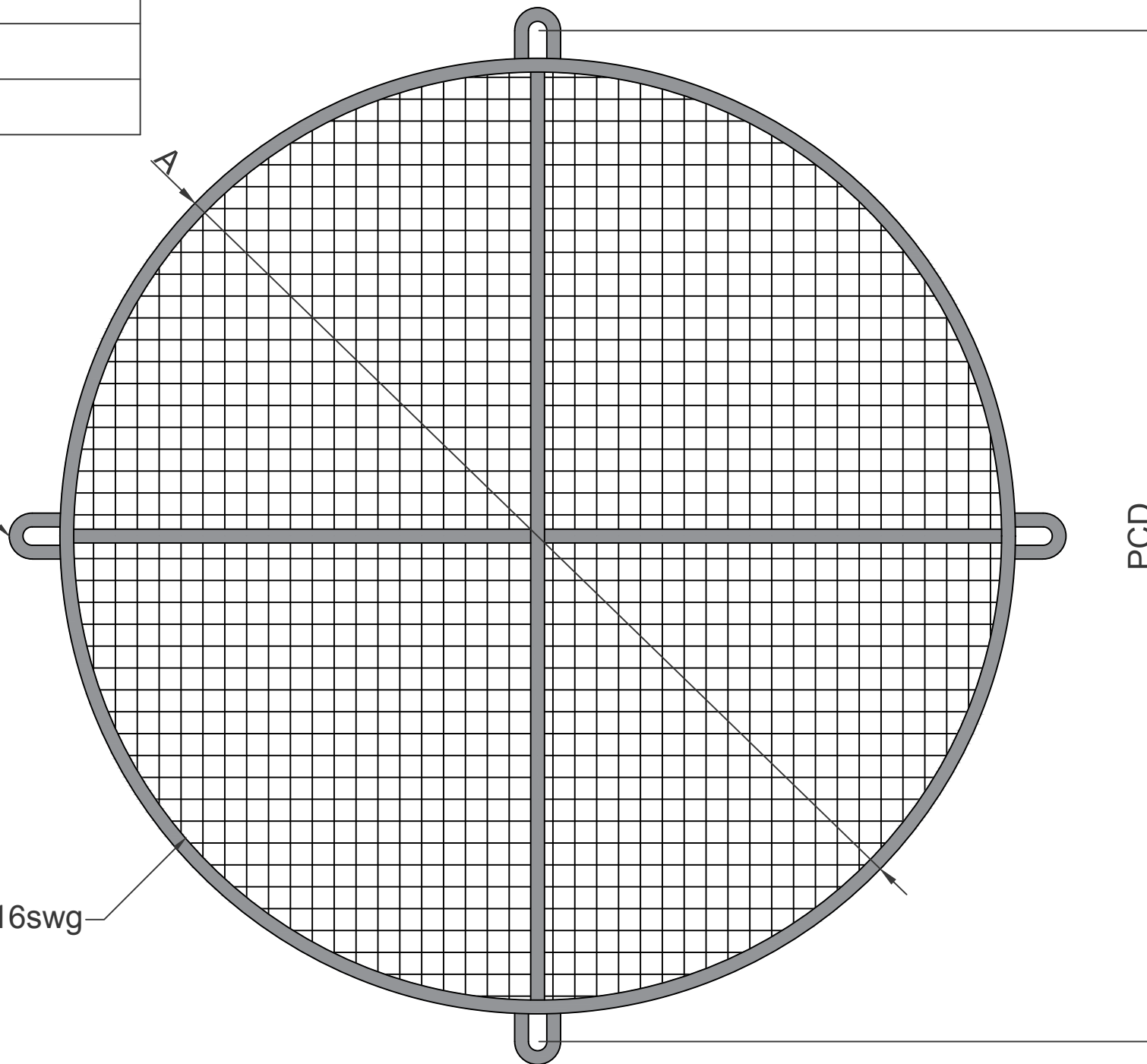
PART No.	QTY REQD	DESCRIPTION	NETT WT.(Kg)
----------	----------	-------------	--------------

A (DIA)	
B (Depth)	
PCD	
Finish	



Lugs suitable for M6 Screws

Mesh 1/2" x 1/2" x 16swg
Frame 6mm



Client : AMP WIRE

Project : Flat Fan Guard
with Flange
Up to 500

Drawn By - P.Szmelter

Checked By -

Date : 03/11/2017

Scale :

DRWN
11
ORIGINAL
DRG SIZE
A3

ALL DESIGNS, DRAWINGS AND PLANS PREPARED BY AMPWIRE LIMITED REMAIN THEIR PROPERTY AND COPYRIGHT. NO DRAWING MUST BE COPIED IN WHOLE OR PART OR OTHERWISE MADE USE OF BY ANY OTHER PARTY. ALL DETAILS ON THIS DRAWING ARE SUBJECT TO ANY NECESSARY SITE CHECKS